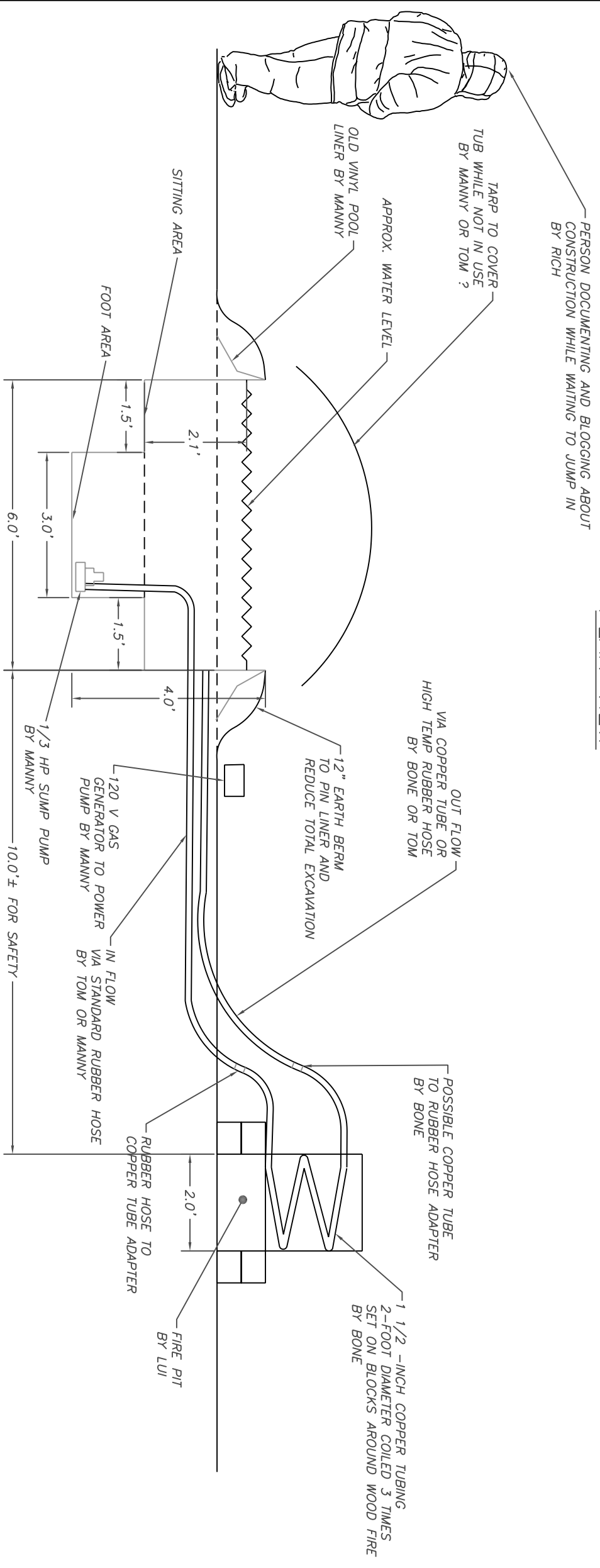


RIVER

ENOUGH HOSE TO PUMP WATER FROM RIVER TO HOT TUB BY MANNY & TOM

NOTE: STANDARD HOSES ARE 1/2-INCH AND THE PUMP'S OUTLET IS 1 1/2-INCH. ADDITIONAL ADAPTERS MAY BE REQUIRED

PLAN VIEW



PERSON DOCUMENTING AND BLOGGING ABOUT CONSTRUCTION WHILE WAITING TO JUMP IN BY RICH

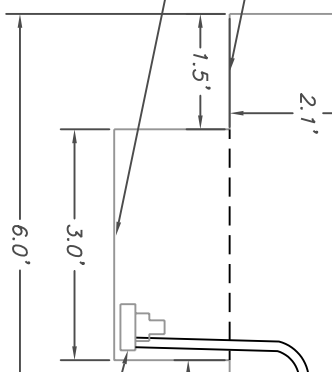
TARP TO COVER TUB WHILE NOT IN USE BY MANNY OR TOM ?

APPROX. WATER LEVEL

OLD VINYL POOL LINER BY MANNY

SITTING AREA

FOOT AREA



OUT FLOW VIA COPPER TUBE OR HIGH TEMP RUBBER HOSE BY BONE OR TOM

12" EARTH BERM TO PIN LINER AND REDUCE TOTAL EXCAVATION

120 V GAS GENERATOR TO POWER PUMP BY MANNY

1/3 HP SUMP PUMP BY MANNY

6.0'

10.0' ± FOR SAFETY

POSSIBLE COPPER TUBE TO RUBBER HOSE ADAPTER BY BONE

1 1/2 - INCH COPPER TUBING 2-FOOT DIAMETER COILED 3 TIMES SET ON BLOCKS AROUND WOOD FIRE BY BONE

RUBBER HOSE TO COPPER TUBE ADAPTER

IN FLOW VIA STANDARD RUBBER HOSE BY TOM OR MANNY

FIRE PIT BY LUI

CROSS SECTION VIEW